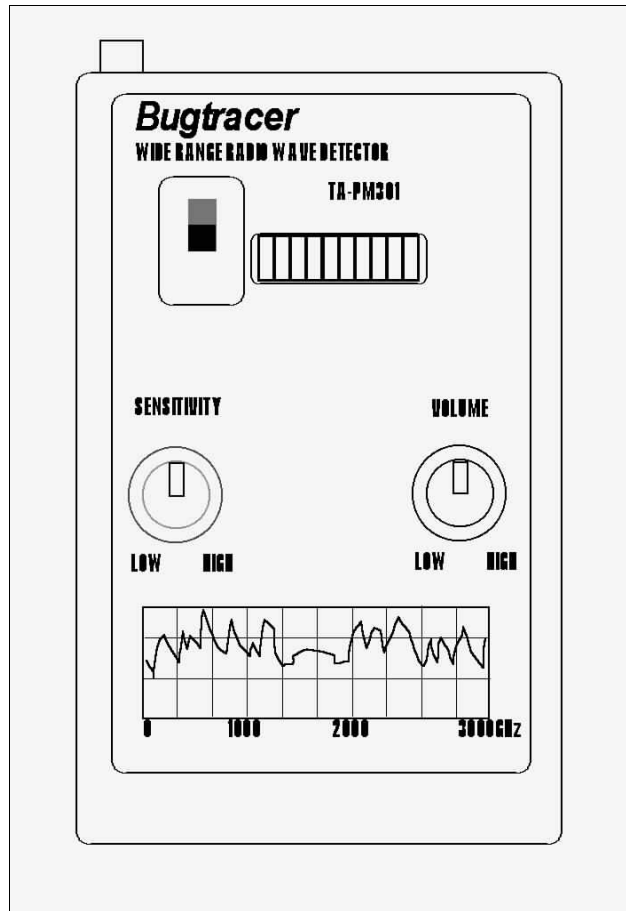


Bugtracer

RADIO WAVE DETECTOR

Model TA-PM301

OPERATION MANUAL



UNITONETM
世界通

Congratulations on the purchase of the
TA-PM301 Radio Frequency Transmitter

Detector. This high quality unit will provide years of service if cared for properly. Read the following instructions carefully before using the unit. Complete understanding of the unit's operation will greatly increase the success of locating RF Transmitters.

Unit Contents: TA-PM301 Base Unit
9 Volt Transistor Battery
Instruction Manual

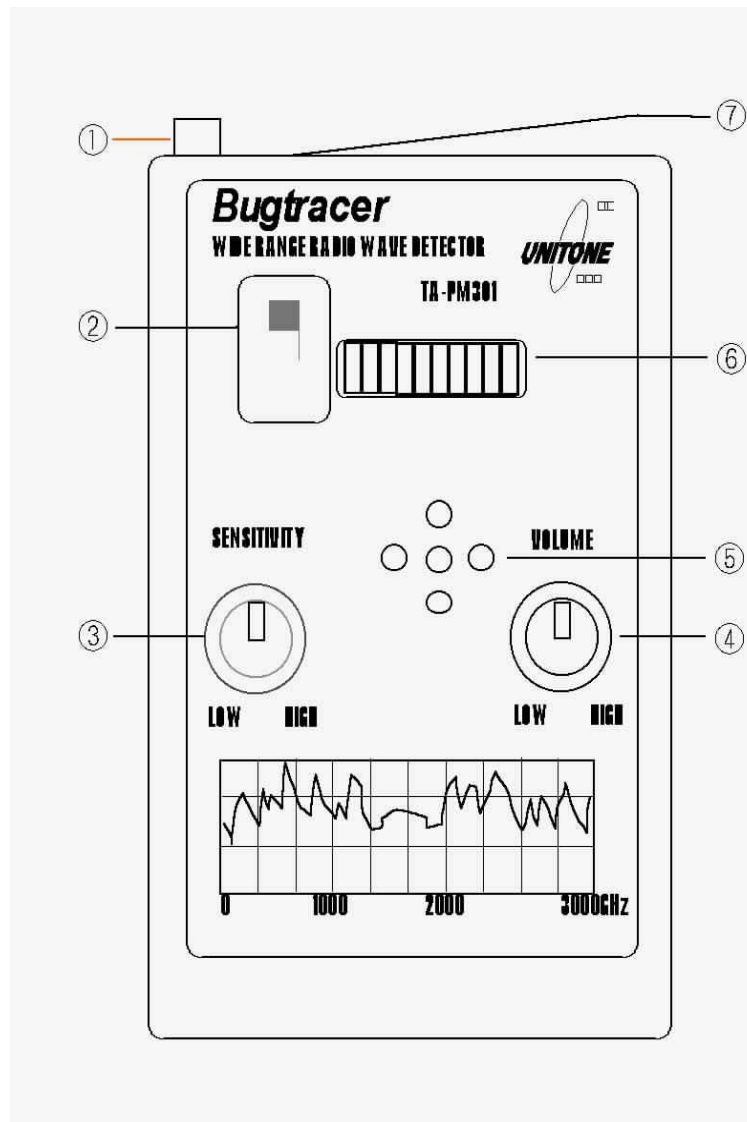
Warranty: This unit has a 90 day warrantee from the date of purchase against all manufactures defects. Carl's Electronics Inc. will repair or replace all defective units. Carl's Electronics Inc. will not issue any cash or credit refund. Physically damaged equipment from obvious misuse will not be replaced or refunded. Shipping charges will not be refunded.

FEATURES

- Wide Detection Range from 1MHz to 3GHz (3000MHz); It covers FM / VHF / UHF telephone & room transmitters and wireless CCD _cameras.
- Non-Section Detection - It scans all _radio waves quickly.
- Adjustable Sensitivity - Allows settings that meet the requirements for different applications.
- Mute Detection - The sound level can be adjusted from loud to off, and the LED Indicator will still give visual indication.

SPECIFICATIONS

- DETECTING RANGE : 1MHz~3GHz.
- WEIGHT : 130g (battery excluded).
- DIMENSIONS : 110mm x 71mm x 24mm (antenna excluded).
- CASING : ABS shell, black coating.
- POWER : one 9V battery. It also can be powered by external power by an AC-DC 9V, 300mA adaptor.



1. Antenna
2. Power switch
3. Sensitivity Adj.
4. Volume Adj.
5. Buzzer
6. LED indicator
7. Power Jack

OPERATION

1. Insert the 9V battery into the unit by taking off battery cover.
2. Power can also be supplied via the power jack with a 9Volt 300mA power supply (not included).
3. Pull up the Antenna (1).
4. Turn on the power : Push the Power switch (2) to “ON” position.
5. Sensitivity Adjustment : Adjust the proper sensitivity by turning the Sensitivity Adjustment Knob (3) in the direction of clockwise until the furthest left LED (6) lights up.
6. Scanning: Hold the unit to scan any object or area you suspect the Wireless Transmitter is located. Move slowly and stop immediately whenever more than 4 LED indicators light up or the strength of volume noticeably increases.
7. Screening: Since the unit detects all types of wireless waves, you will have to verify whether the signal is from other sources by physically searching the location of strongest signal indication. Note: cellular phones, walkie talkies, wireless door chimes, car remote controls, televisions, microwave ovens, computers and many other object emit RF or Radio Frequency noise.

TIPS FOR EXACT LOCATING

1. Narrow the scanning by gradually shortening the antenna length. This will allow you to get closer to the transmission source.
2. To detect wireless CCD cameras, simply hold the antenna 1/2 inch from the front of the suspected object since the strength of wireless CCD cameras is much stronger than other transmitters.
3. The detection of wireless telephone bugs should be made with the phone off hook. Most phone transmitters do not start transmitting unless the phone is in use.

APPLICATIONS

1. Detecting wireless telephone bugs, room bugs.
2. Prevent cheating in examinations that send answers through wireless communication.
3. Laboratories - for detecting radio waves that are causing interference.
4. Casino - Prevent cheaters in gambling that send signals through wireless communication.
5. Detecting wireless CCD Cameras

NOTES

1. Remember to turn off the power whenever you finish with the detection.
2. To prevent any other interference, please stop the use of cordless phones, cellular phones, walkie talkies, etc... whenever you use the wireless bug detector.
3. Be sure to replace the battery if the unit seems to act improperly.

Carl's Electronics Inc.
17 Laurelwood Road
Sterling MA 01564
(800) 439-1417 phone
(978) 422-8574 fax
Sales@electronickits.com
www.ElectronicKits.com